

Beverage Dispensing Towers



10-Valve Sanitary Lever
Dispensing Tower

Standard Features -

Dispensing Towers (13 Series)

- All stainless steel construction for durability and ease of cleaning
- Fully insulated to maintain proper drink temperature
- Choice of valves include sanitary lever (manual), automatic fill, push-button (manual), or 4-size portion control (timed portion) dispensing valves
- Towers include carbonated and non-carbonated flavor valves; all valves are capable of carbonated or noncarbonated flavors
- Use with Multiplex remote refrigeration units for high volume dispensing needs
- Includes calibration kit

Standard Features -

Pass Thru Towers (15 Series)

- All stainless steel construction for durability and ease of cleaning
- Size portion control (timed portion) dispensing valves have a timed 4-second pour for ease of flow adjustment
- All valves are capable of carbonated or non-carbonated flavors
- Carbonated and non-carbonated buttons are located on both sides of tower providing operation from either side
- Moisture and abrasive-resistant sealed keyboard
- Drink storage rack provided for drink staging capability
- Low voltage transformer provided; UL certification not required
- Includes calibration kit and out of CO₂ light

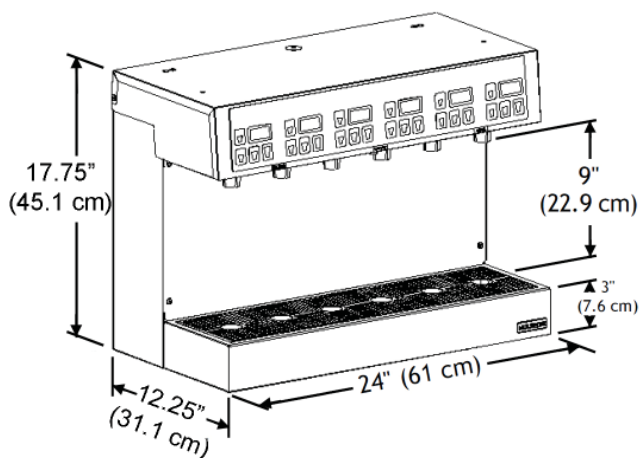
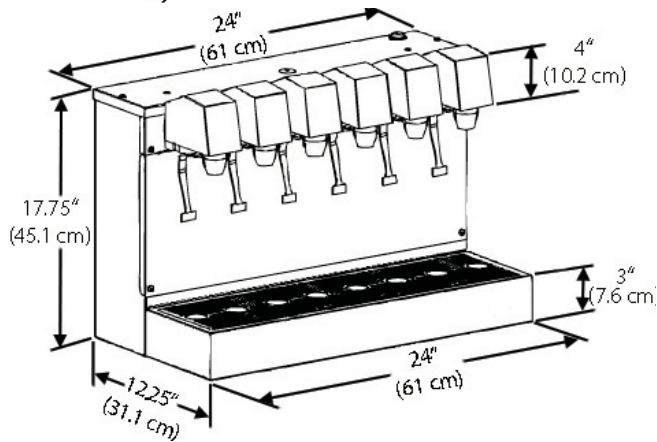
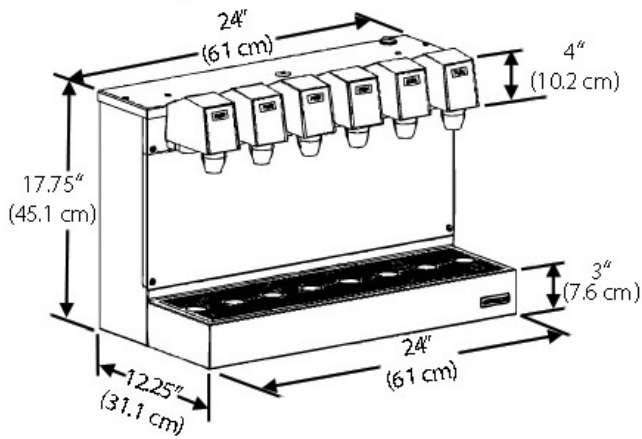
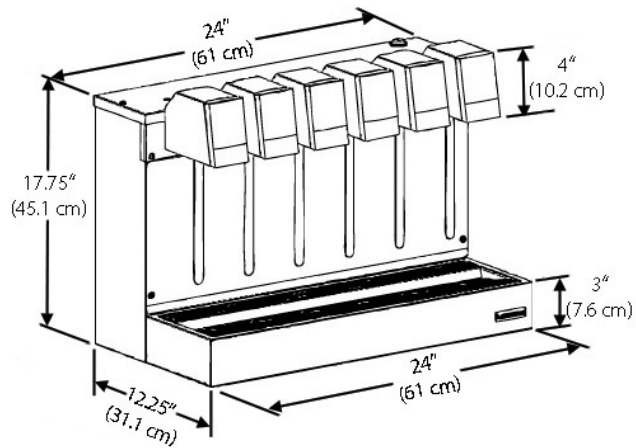
Warranty

- 2 Years limited warranty

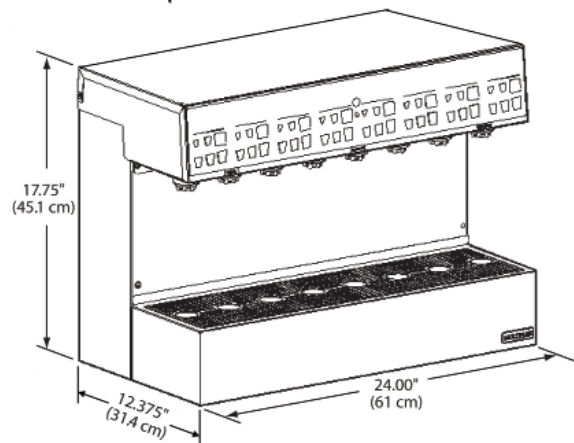
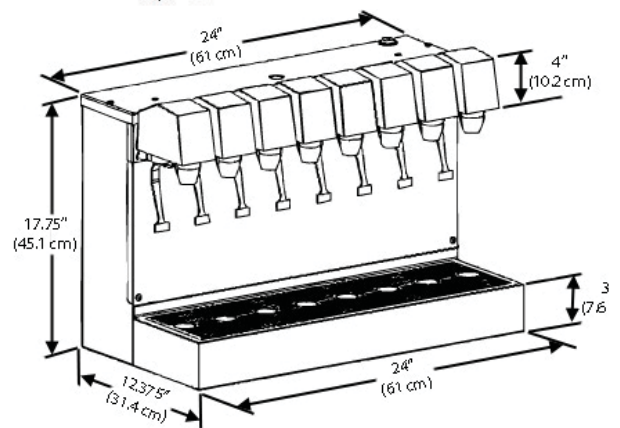
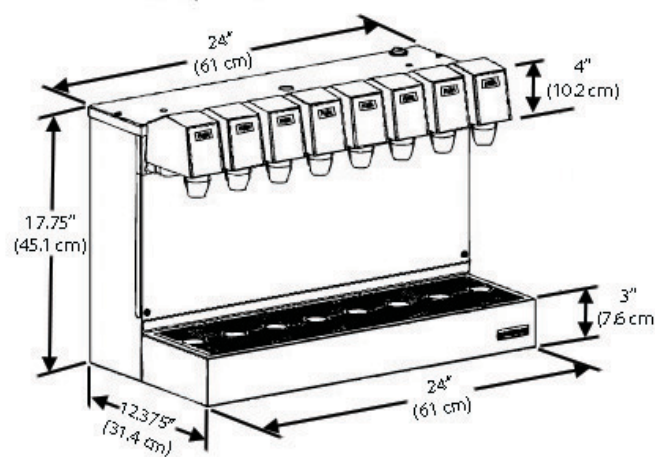
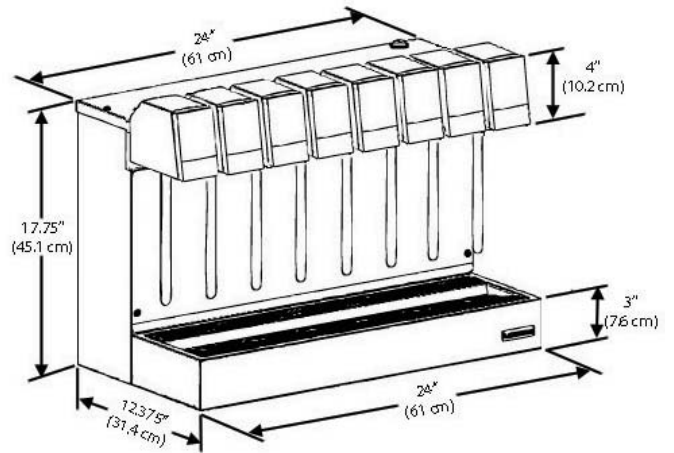


ISO 9001:2000
Quality System
Certified

136 - 6 Valve Dispensers

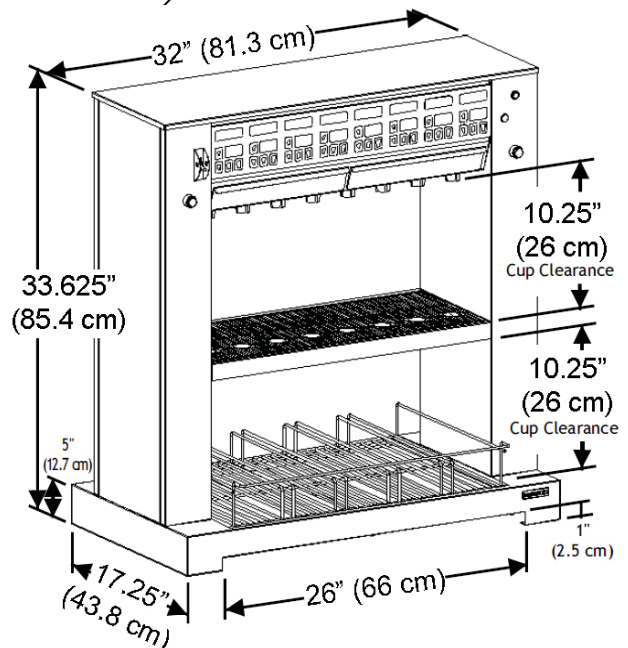
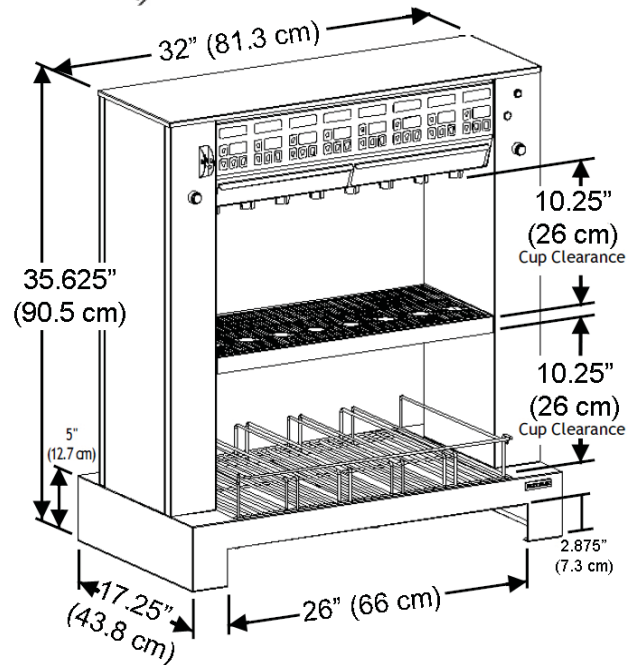
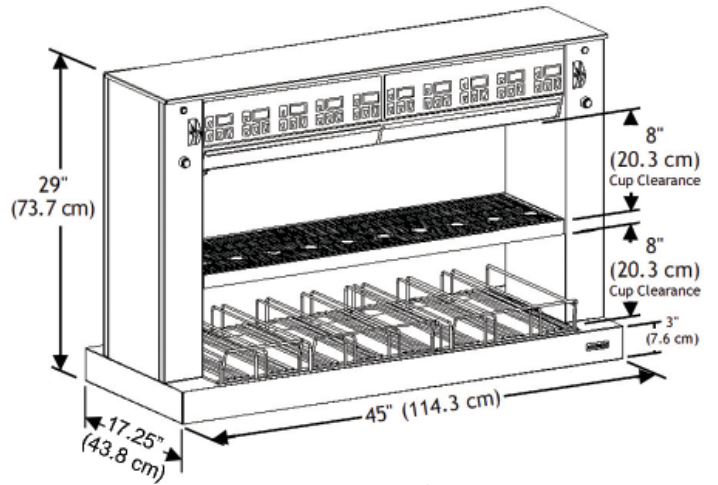
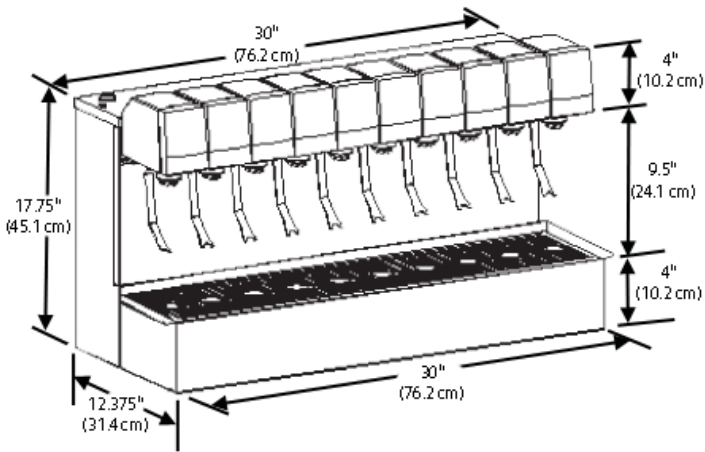
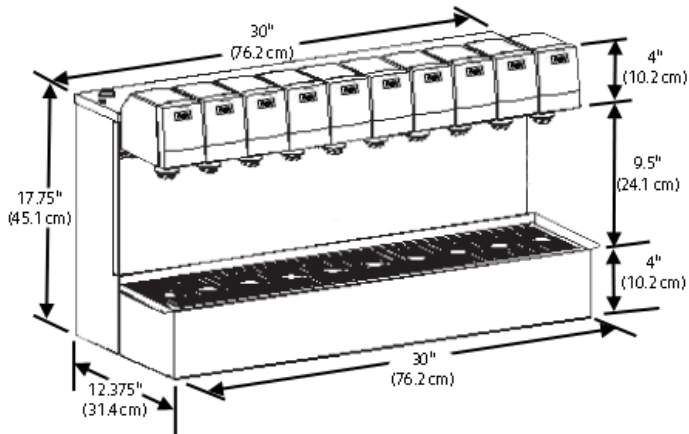


138 - 8 Valve Dispensers



1310 - 10 Valve Dispensers

15 Series - Crew Serve Dispensers



Specifications - Dispensing Towers (13 Series)

	6-Valve Units	8-Valve Units	10-Valve Units
Valve Actuation	Automatic Fill, Sanitary Lever, Push Button, or Portion Control		Sanitary Lever or Push Button
Valves Flow	Optional 3.0 oz/sec, 4.0 oz/sec, 4.5 oz/sec		3.0 oz/sec
Electrical	120 VAC primary, 24 VAC secondary, 50/60 Hz; 220 VAC primary, 24 VAC secondary, 50/60 Hz available		120 VAC primary, 24 VAC secondary, 50/60 Hz
Manifold	5 Carb, 1 Non-Carb	6 Carb, 2 Non-Carb	5 Carb, 5 Non-Carb
Drain	Modular, removable		

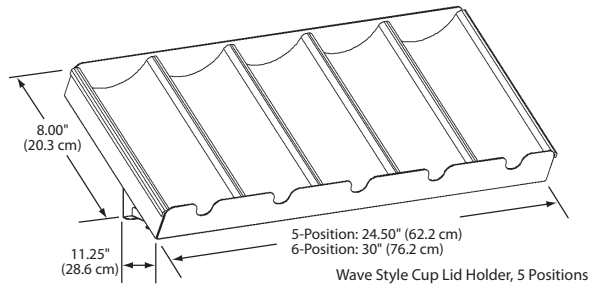
Specifications - Pass-Thru Towers (15 Series)

	8-Valve Units	10-Valve Units
Valve Actuation	Portion Control	
Valves Flow	Optional 3.0 oz/sec, 4.0 oz/sec, 4.5 oz/sec	
Electrical	120 VAC primary, 24 VAC secondary, 50/60 Hz; 220 VAC primary, 24 VAC secondary, 50/60 Hz available	
Manifold	7 Carb, 1 Non-Carb	8 Carb, 2 Non-Carb
Drain	Modular, removable	

Contact a Multiplex Distributor for a full list of options and configurations.

Optional Accessories

Part No.	Item	Description
00219024	Cup lid holder	Wave style, five positions
00219219	Cup lid holder	Wave style, six positions
00218795	Straw holder/ splash guard kit	Includes two straw holders and two splash guards



4115B ©2012 Multiplex 2/12 Continuing product improvement may necessitate change of specifications without notice.